

HG1000G

DEMAND INTEGRATED

The Hyde GUARDIAN Gold™ Ballast Water Treatment system is an effective and reliable solution combining filtration with Ultraviolet (UV) disinfection.

HG1000G Features:

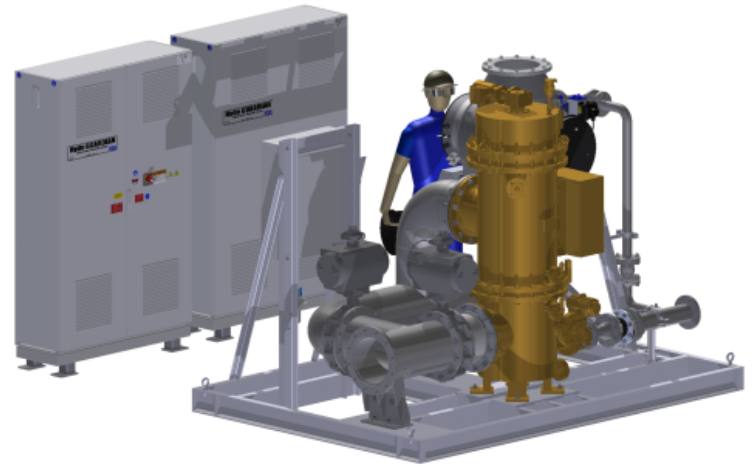
- Smallest footprint on the market
- Designed to interface with ship's IAS for centralized operation
- Optimized for larger vessels
- Seven automatic modes of operation allowing one-touch operation
- Automatic backflushing filter uses inlet pressure for backflush to improve cleaning efficiency
- Operates independent of salinity, temperature or hold time

What's Included:

- Filter
- UV Chamber
- Control Panel
- Power Panel (2)
- Control valves
- Flow meter
- Air supply regulator

Options available:

- Skid mounting (includes interconnect piping and wiring)
- Hazardous Area certification available
- Remote panels
- Isokinetic Sample Port(s)



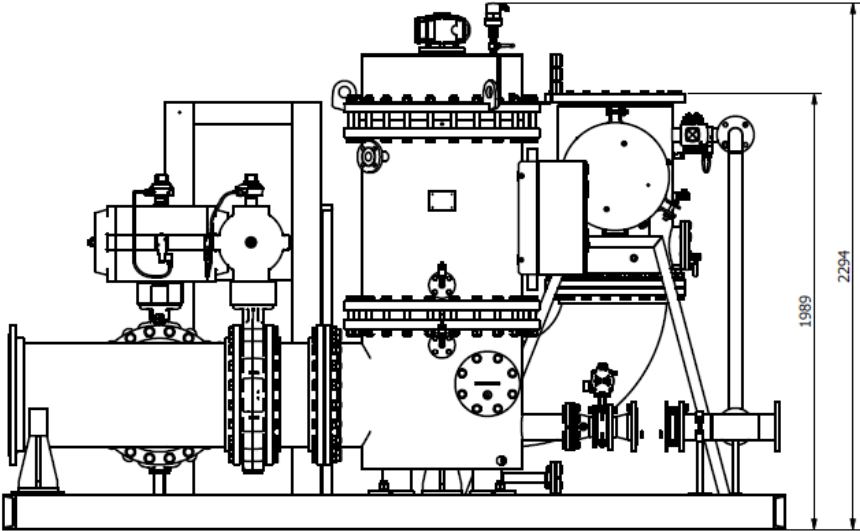
The HG1000GS assembly mounts all major components to ease installation and provide a compact, ready to run solution.

Technical Data

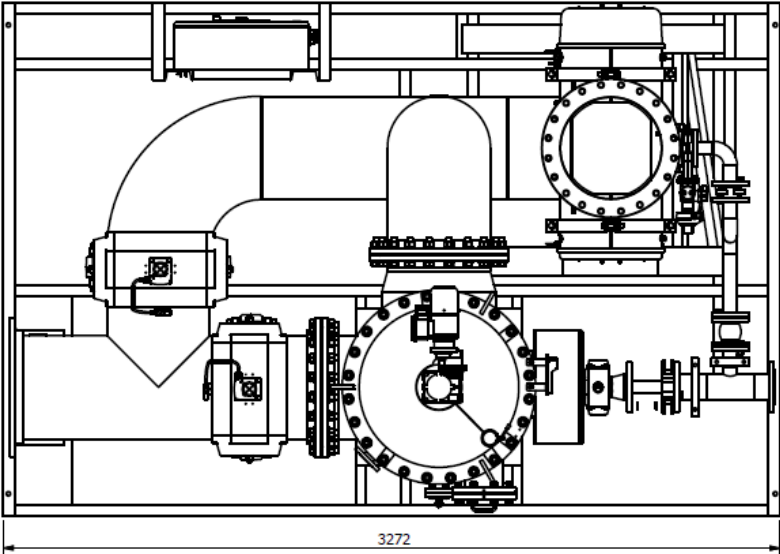
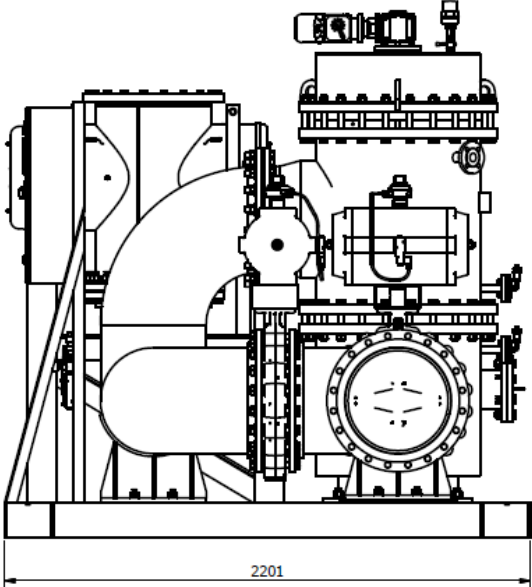
Treatment Rated Capacity	1000 m ³ /hr
Electrical Supply	380 – 690V · 50/60 Hz · 3 ph
Power Consumption	53 kW Nominal · 75 kW max
Max. Operating Pressure	6 bar
Minimum Flow	100 m ³ /hr
Max. Operating Temperature	55 C

Component	Size (L · W · H) (mm)	Weight (kg)
Skid (Complete Assembly)	3272 · 2201 · 2294	3500
Filter	1125 · 942 · 2111	877
UV Chamber	956 · 1112 · 630	172
Control Panel	600 · 210 · 760	35
Power Panel – Qty. (2)	1206 · 406 · 1803	575 + 415

FRONT VIEW



SIDE VIEW



TOP VIEW