

HG250U

DEMAND RUGGED

The Hyde GUARDIAN® Universal Service Ballast Water Treatment system is an effective and reliable solution combining filtration with Ultraviolet (UV) technology.

HG250U Features:

- Smallest footprint on the market
- Seven automatic modes of operation allowing one-touch operation
- Automatic backflushing filter capable of handling heavy organic and sediment loading
- Operates independent of salinity, temperature or UVT
- Produces no harmful disinfection by-products

What's Included:

- Filter
- UV Chamber
- Control Panel
- Power Panel
- Control valves
- Flow meter
- Air supply regulator

Options available:

- Skid mounting (includes interconnect piping and wiring)
- Hazardous Area certification
- Remote panels
- Easy interface with ships automation
- Isokinetic Sample Port(s)
- Gravity operation

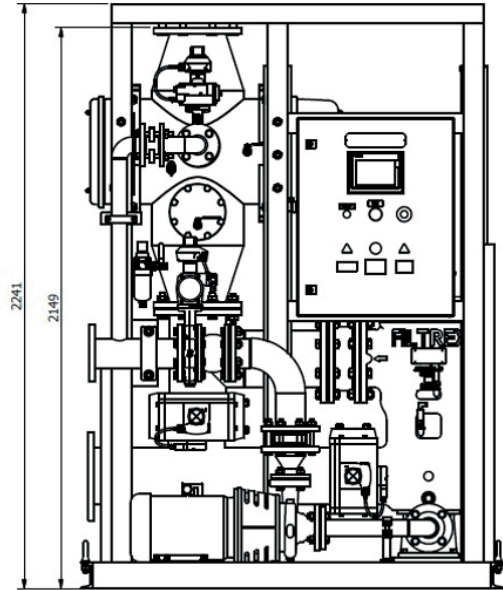


The HG250US assembly mounts major components to streamline installation.

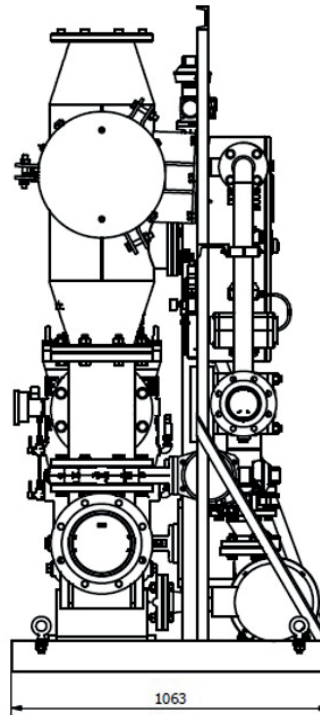
Technical Data	
Treatment Rated Capacity	250 m ³ /hr
Electrical Supply	380 - 690V · 50/60 Hz · 3 ph
Power Consumption	30 kW Nominal · 37 kW max
Max. Operating Pressure	10 bar
Minimum Flow	26,1 m ³ /hr
Max. Operating Temperature	55°C

Component	Size (L · W · H) (mm)	Weight (kg)
Skid (Complete Assembly)	1617 · 1063 · 2241	1275
Filter	464 · 493 · 1250	288
UV Chamber	1075 · 949 · 587	165
Control Panel	600 · 210 · 760	35
Power Panel	1803 · 406 · 1932	865

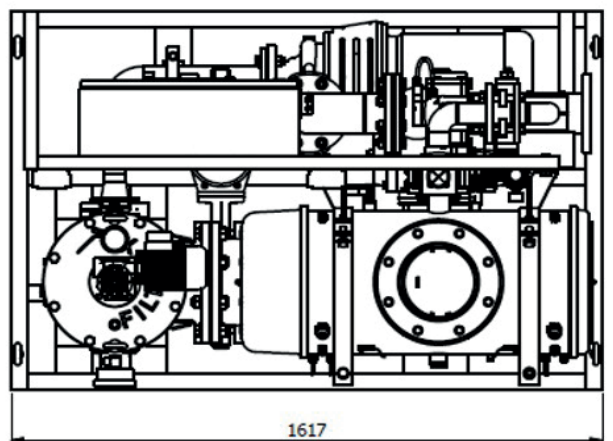
Front View



Side View



Top View



© 2021 Hyde Marine.
All rights reserved.

hydmarine.com
HG250U
485.0004.0 SEPT/2021